

# 25M CMOS CameraLink 31.8fps Global Shutter

**NEW**

## STC-OSB250CL 【Mono】

## STC-OSC250CL 【Color】

NEW ON Semiconductor 25M CMOS CAMERA LINK  
High Definition & High Speed CMOS Global Shutter



### 概要

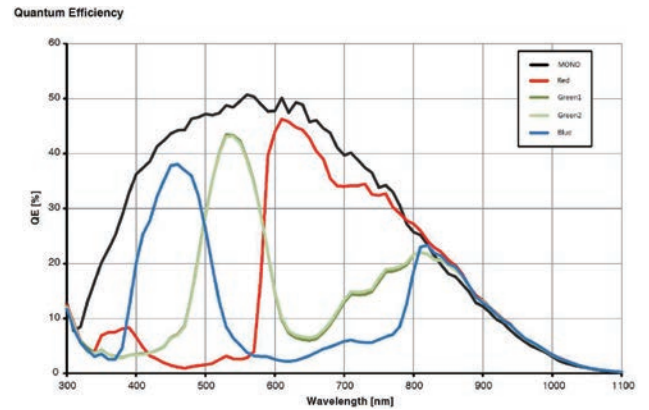
- 5120 (H) x 5120 (V)
  - 4.5 $\mu$ m x 4.5 $\mu$ m
  - 31.8 fps
  - APS-H
  - Lens
- Mount: M42 / F
  - Global Shutter
  - 75 x 75 x 40mm  
(connector excluded)



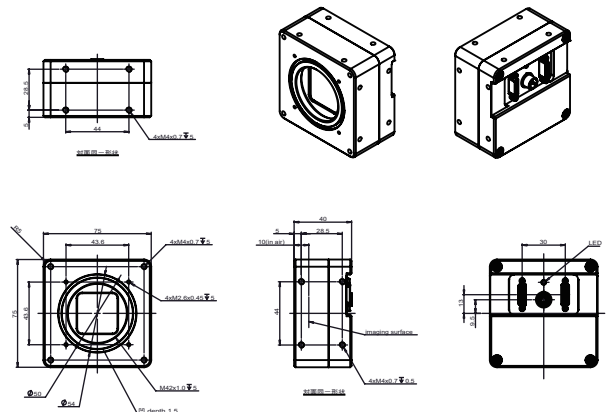
## Specifications

Model Numbers	: STC-OSB250CL ( Monochrome ) STC-OSC250CL ( Color )
Image Sensor	: PYTHON 25K ( ON Semiconductor )
Shutter Type	: Global Shutter
Effective Pixels	: 5120 (H) x 5120(V)
Cell Size	: 4.5 (H) x 4.5 (V) $\mu\text{m}$
Maximum Frame Rate	: 31.84 fps ( 10TAP / 85MHz ) 24.67 fps ( 10TAP / 66.11MHz ) 25.38 fps ( 8TAP / 85MHz ) 19.91fps ( 8TAP / 66.11MHz )
ADC Bit Width	: 10bits
Viseo Format	: 8 bits / 10bits Output
Data Output Type	: Deca / Full Configuration
TAP Type	: 10TAP / 8TAP
Clock Speed	: 85.0 / 66.11MHz ( 10TAP , 8TAP )
Noise Level	: $\leq 3$ digits ( Gain 0 dB / 8bits ) $\leq 12$ digits ( Gai 0 dB / 10bits )
Exposure Time	: 21 $\mu$ sec ~ 16.777sec ( for all TAP types )
Analog Gain	: Single, fixed
Digital Gain	: 1~5 times
Gamma	: 1.0 fixed
Black Level	: 0 ~ 63 digits ( 8bits Output ) 0 ~ 252 digits (10bits Output )
White Balance Gain	: N/A
Multi ROI	: Up to 8 areas, horizontal size unchangeable
Binning	: N/A
Decimation	: N/A
Image Flip	: Horizontal / Vertical /Horizontal & Vertical / Off
Pixel Defect Correction	: Up to 1024 points
Auto Exposure	: N/A
Auto Gain (AGC)	: N/A
Auto White Balance	: N/A
Operation Mode	: Free run / Edge Preset Trigger / Pulse Width Trigger
User Preset	: Applicable
Input /output signal Terminal	: 4 IOs
Power Input Voltage	: 12 ~ 24 Vdc $\pm 10$ %
Power Consumption	: Max: 9.7 W, Typical: 9.2 W
Dimensions	: 75 (W) x 75 (H) x 40 (D) mm ( excluded connector )
Optical Filter	: None
Lens Mount	: M42 / F
External Connector	: Miniature Connector (SDR) x 2 pcs
Power • Signal Connector	: HR10A-7R-6PB (Hirose) or equivalent
Camera Mounting	: M4 screw holes for attachment ( 4pcs each for top, bottom, right, left )
Weight	: Approx 400 g

## Spectral Sensitivity



## Dimensions



\*Other company names and product names in this website are either registered trademarks or trademarks of their respective owners.

Note: Do not use this document to operate the Unit.

OMRON Corporation Industrial Automation Company  
Kyoto, JAPAN

Contact: [www.ia.omron.com](http://www.ia.omron.com)

Regional Headquarters  
OMRON EUROPE B.V.  
Wegalaan 67-69, 2132 JD Hoofddorp  
The Netherlands  
Tel: (31)2356-81-300/Fax: (31)2356-81-388

OMRON ELECTRONICS LLC  
2895 Greenspoint Parkway, Suite 200  
Hoffman Estates, IL 60169 U.S.A.  
Tel: (1) 847-843-7900/Fax: (1) 847-843-7787

OMRON ASIA PACIFIC PTE. LTD.  
No. 438A Alexandra Road # 05-05/08 (Lobby 2),  
Alexandra Technopark,  
Singapore 119967  
Tel: (65) 6835-3011/Fax: (65) 6835-2711

OMRON (CHINA) CO., LTD.  
Room 2211, Bank of China Tower,  
200 Yin Cheng Zhong Road,  
PuDong New Area, Shanghai, 200120, China  
Tel: (86) 21-5037-2222/Fax: (86) 21-5037-2200

Authorized Distributor:

© OMRON Corporation 2020 All Rights Reserved.  
In the interest of product improvement,  
specifications are subject to change without notice.

Cat. No. Q296-E1-01

1220 (1220)